

Date _____
 AVFI Sales REP _____
 Customer Signature _____

Quote No. _____
 Customer No. _____
 AVFI No. _____

Office Use Only

To generate your order form, please refer to the information provided below to insert the alphabetic and/or numeric code in the respective category boxes. Please note that without this filled out Order Form, your purchase **cannot** be processed.

1	2	3	4	5
Product Model	Finish	Chargeable Accessories (One Code Per Box)	Mount	Custom Cutouts
T628	Tabletop Rack Top			



2 Choose Product Finish

Standard Finishes - Tabletop

FMT	HCT	RCT	CLT	CJT	ART	BRT	ELT
CWT	BAT	SGT	EBT				

Note: The Rack Top standard finish is black (EBT). If another finish is desired, please choose from the above finishes and specify on the 'Finish' section #2.

- 3** Chargeable Accessories (Check all that apply)
- Code **00** No Accessories _____
 - Code **B1 9031-1** 1U Utility Metal Shelf.....Qty _____
 - Code **B2 9031-2** 2U Utility Metal Shelf.....Qty _____
 - Code **B3 9031-3** 3U Utility Metal Shelf.....Qty _____
 - Code **B4 9041** Sliding Metal ShelfQty _____
 - Code **B5 9052-2** 2U Sliding Metal Drawer.....Qty _____
 - Code **B6 9052-3** 3U Sliding Metal Drawer.....Qty _____
 - * Code **D6 GRC60B** Black 60mm Round Grommet.....Qty _____
 - * Code **D7 GRC60W** White 60mm Round Grommet.....Qty _____
 - * Code **D8 GRC60G** Grey 60mm Round Grommet.....Qty _____
 - Code **E1 PB 6** Outlet Power BarQty _____
 - * Code **E3 CUB3** Round Cable Well.....Qty _____
 - * Code **E4 SF-PB3** 3 Outlet Power Bar.....Qty _____
 - * Code **E5 CUB5** Black Round Cable Well.....Qty _____
 - * Code **E6 CUB5** Silver Round Cable Well.....Qty _____
 - * Code **E7 PC-PATCH** Power Panel Additional (2 included)...Qty _____
 - * Code **E8 CUB8** Table Top Cable Well.....Qty _____
 - * Code **EA CUB4S** Silver Power Panel.....Qty _____
 - * Code **EB CUB4B** Black Power Panel.....Qty _____
 - * Code **EC CHGQIW** Wireless Charging Station White...Qty _____
 - * Code **EF CHGQIB** Wireless Charging Station Black.....Qty _____
 - * Code **ED CHGQI-DNGL** Dongle Lightning.....Qty _____
 - Code **J3 DIR9200-8** 8U Rack Module.....Qty _____
 - Code **K3 PLM1022** Monitor MountQty _____
 - Code **M4 CBB-TV** Camera BracketQty _____
 - Code **M9 CS** Camera/Codec Bracket.....Qty _____
 - 628 Extension** Adds room for +4 people.....Qty _____
- Note: If custom cutouts are required for the table extension, please include the 628 Extension order form with this order form.*

- 4** Choose Mount (Single, Dual or XL)
- Code **L1** Single Kit Mount (1x 40"-80" Monitors/160 lbs max)
 - Code **L2** Dual Kit Mount (2x 32"-70" Monitors/160 lbs total max)
 - Code **L3** XL Kit Mount (1x 50"-90" Monitors/160 lbs max)

Comments (Please use this section to provide additional information)

Notes

CAD Drawings/Symbols
 CAD drawings are available by request at sales@vegroup.net

Custom Cutouts
 Estimated lead time within 20 business days from receipt of P.O. and signed drawings.

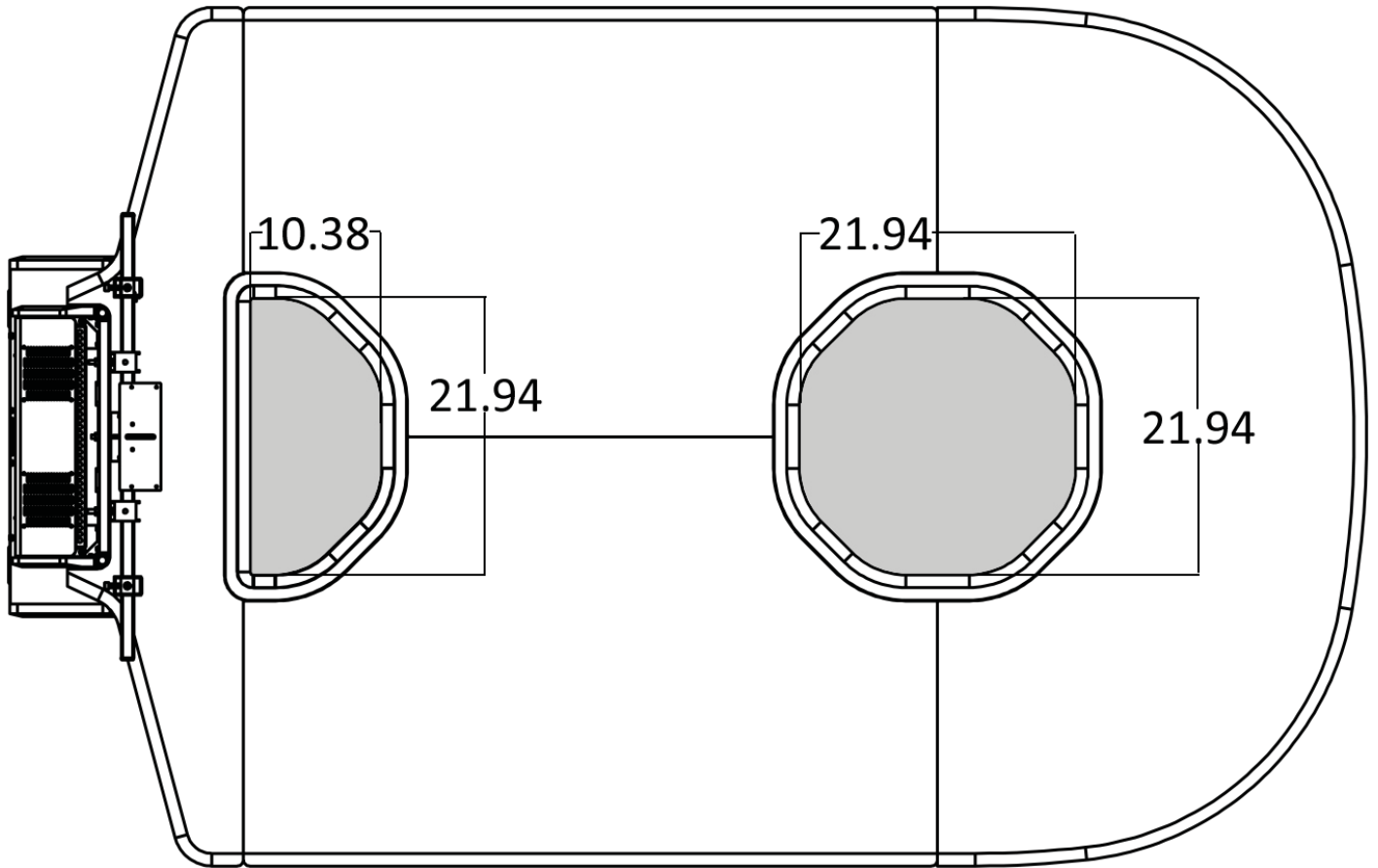
Customizations
 Modifications to design such as shape and/or size variations have to be quoted on a per case basis and are applicable for quantities of 10+ only.

* **Cutout Required** (Extra Charges will apply)
 ** Requires **CHGQIW/B** accessory

Custom Cutout Option on Page 2

Please indicate custom cutout location on the drawing(s) below

5 Custom Cutout Option (Extra charges will apply)



Code **CO** No Custom Cutout

Code **CC** Custom Cutout (Specify on Cutout Area Above)

■ Cutout Area